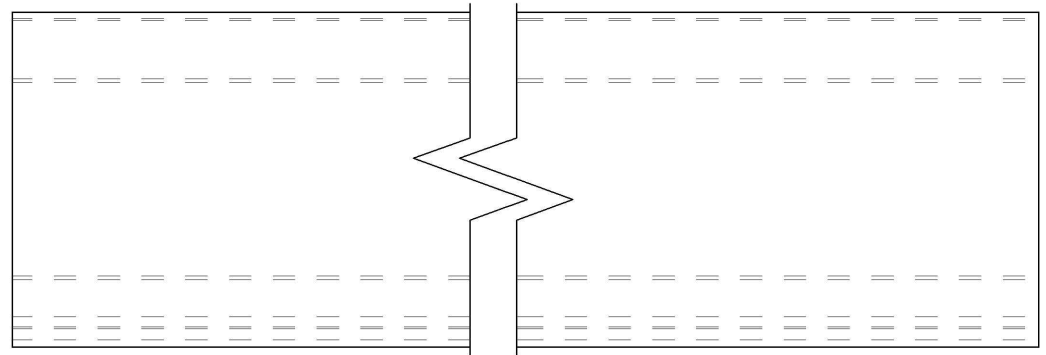
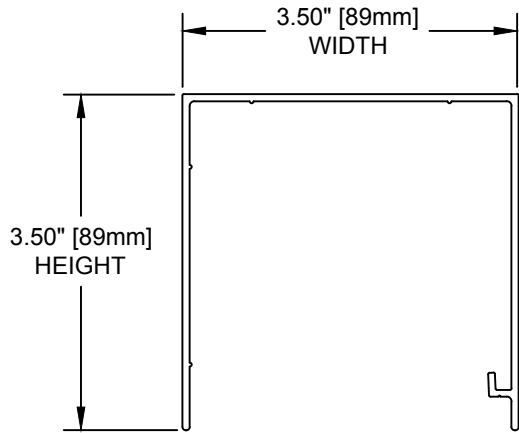


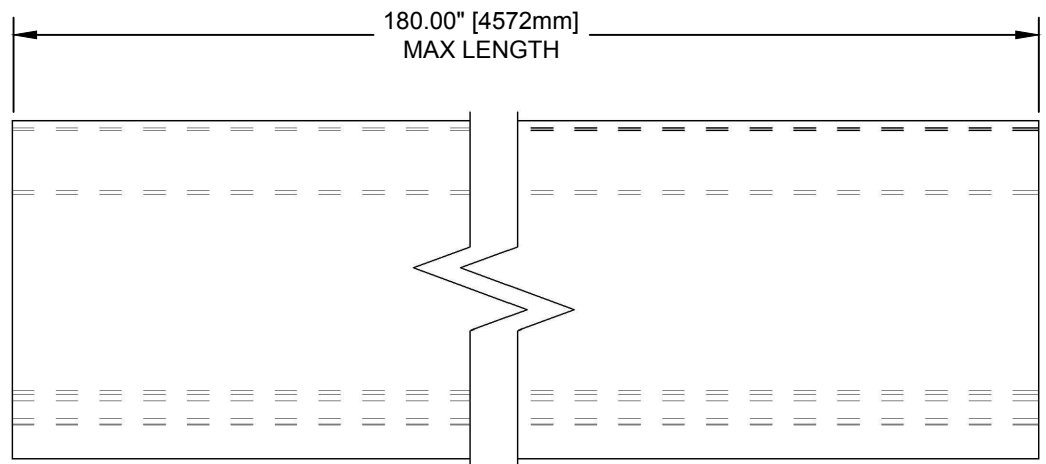
ISOMETRIC VIEW
SCALE 1:5



PLAN VIEW



SECTION VIEW



ELEVATION VIEW

NOTE:

1. AVAILABLE IN BLACK, BRONZE, SILVER AND WHITE

3.5" X 3.5" POCKET

SCALE: 1/2

DRAWING #: 085614

REVISION: A